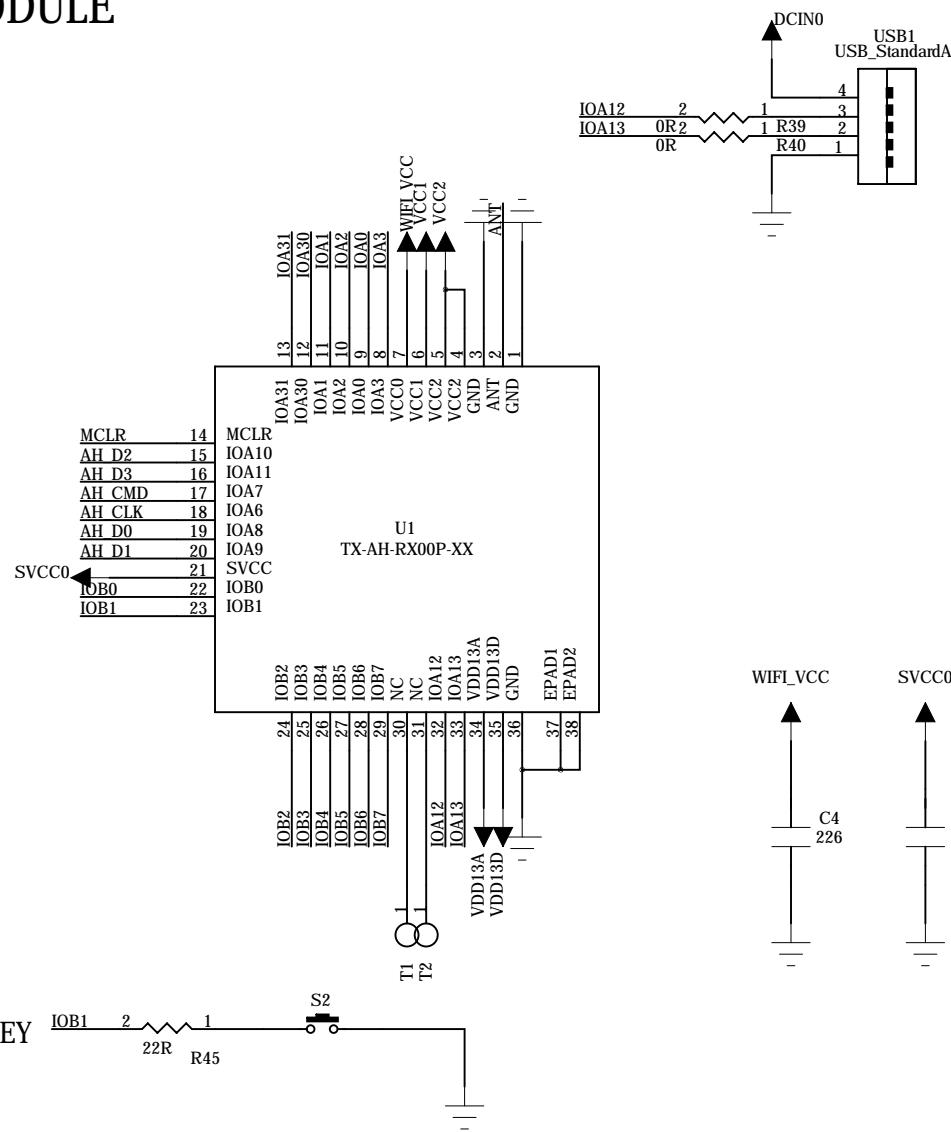
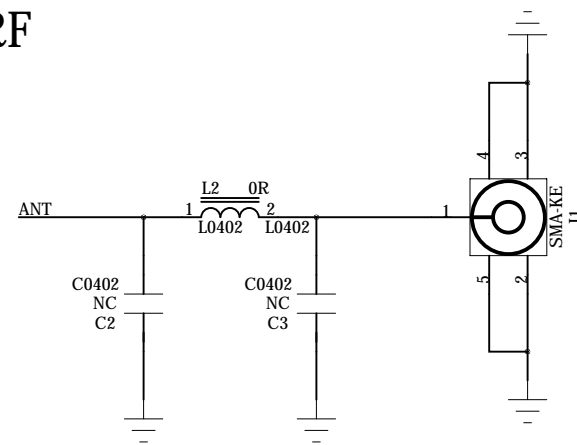


AH_MODULE

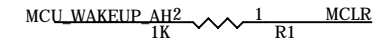


AH_RF



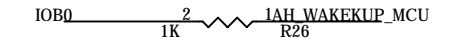
Pls reserve a "PI" circuit for antenna matching
The RF trace need keep 50ohm impedance.

HOST WAKE UP AH



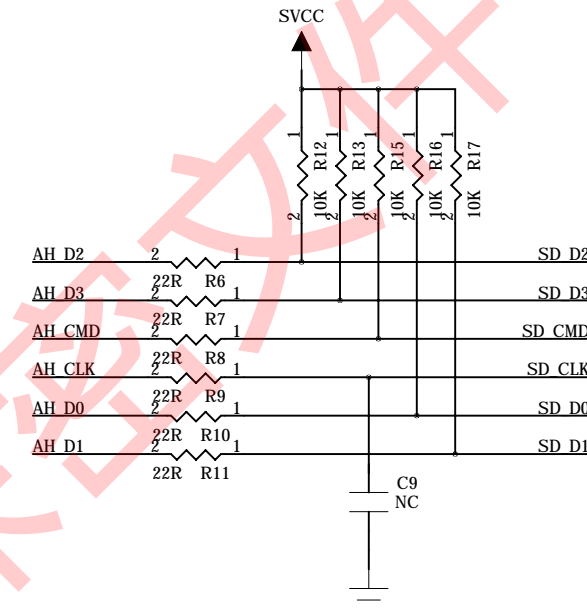
If you don't need MCU wakeup ah. Pls bypass R1!

AH WAKE UP MCU

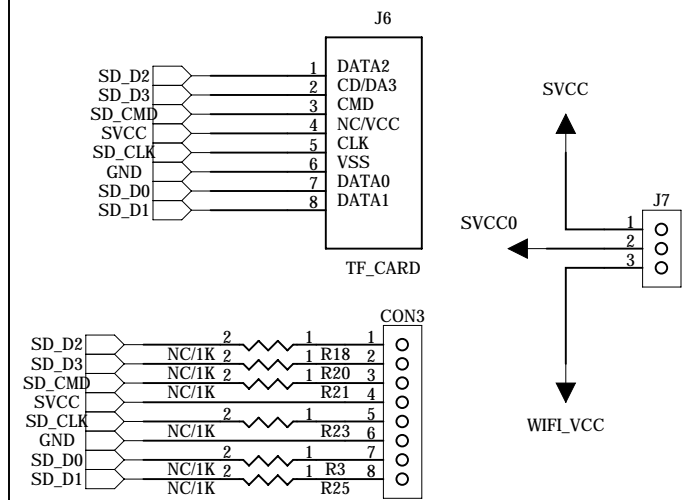


If you don't need AH wakeup MCU. Pls bypass R26!

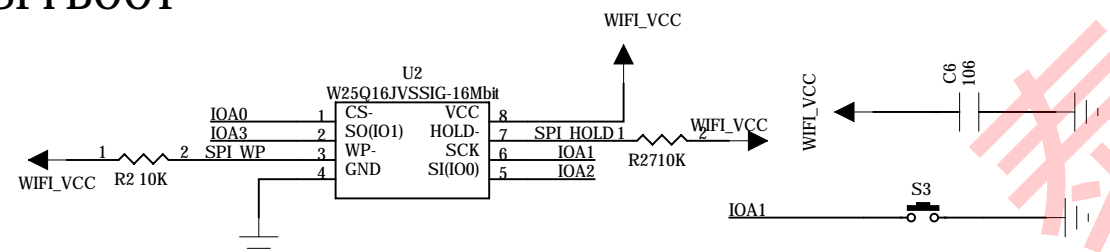
SDIO HOST



HOST INTERFACE

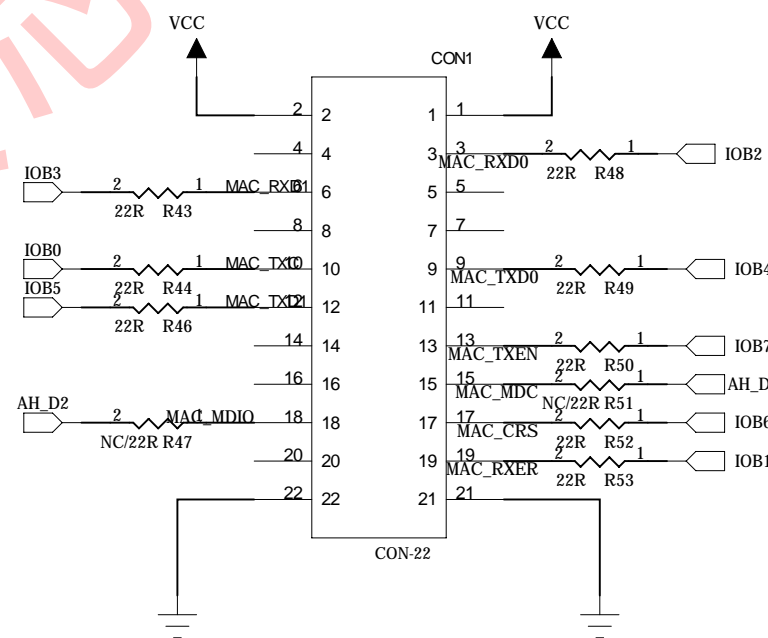


SPI BOOT

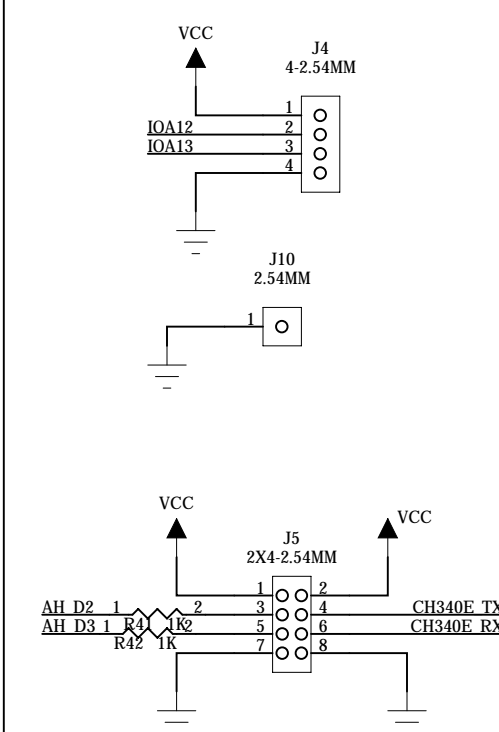


Please bypass the spi flash when you load firmware from the sdio.

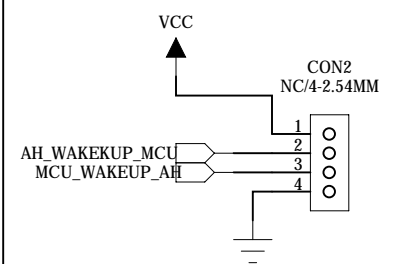
AH PHY



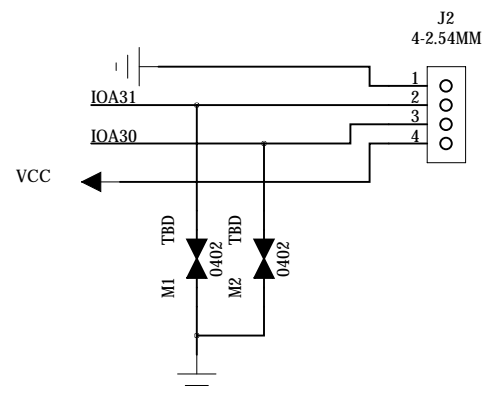
AH UART



MCU INTERFACE



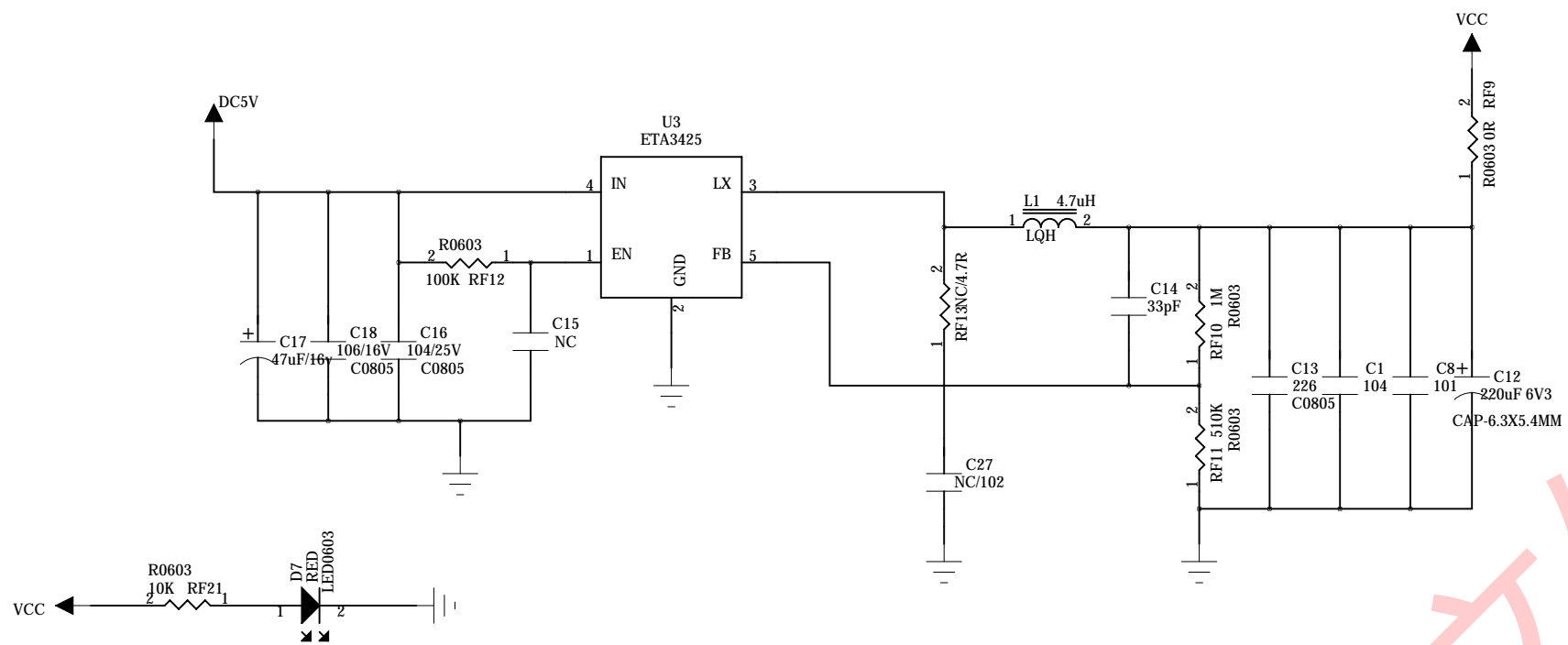
AH DEBUG



珠海泰芯半导体有限公司
Zhuhai Huge-ic Co., Limited

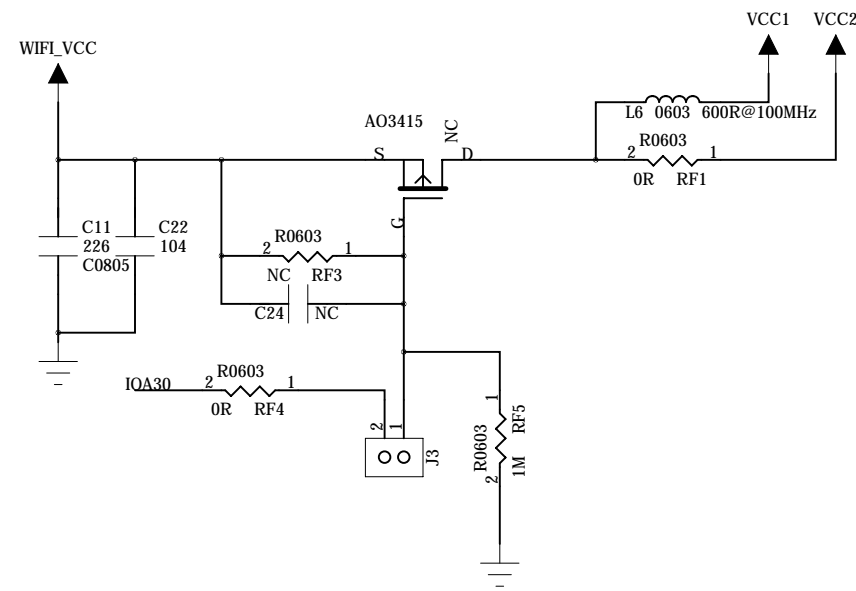
Title:	
Drawing No:	Version:
Drawn By:	Date:
Checked By:	Date:
Approved By:	Date:
Size	A3 Sheet:

DCDC OUTPUT 3V3 FOR SYS

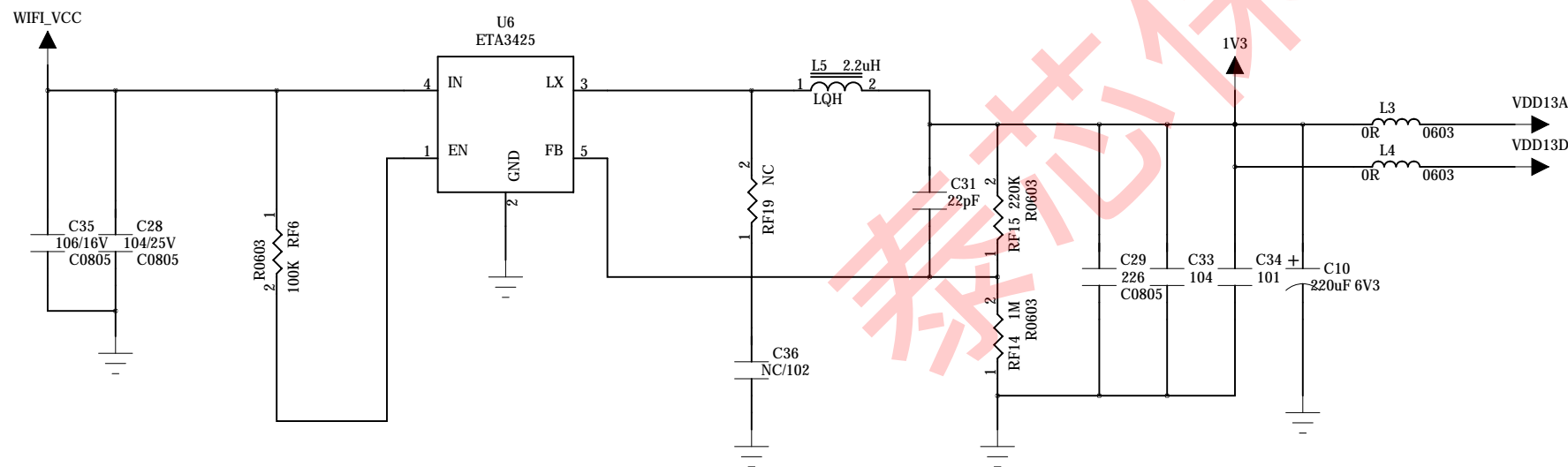


VCC(3V3) current at least 400mA. ripple<30mV

AH LOW PWR MODE CONTROL

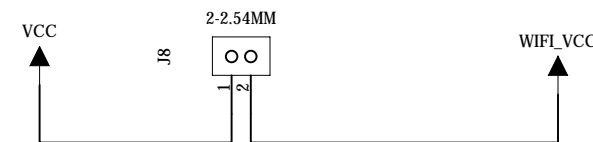


1V3 FOR LOW PWR MODE



VCC(3V3) current at least 400mA. ripple<30mV

CURRENT TEST



珠海泰芯半导体有限公司
Zhuhai Huge-ic Co., Limited

Title:	
Drawing No:	Version:
Drawn By:	Date:
Checked By:	Date:
Approved By:	Date:
Size	A3 Sheet:

